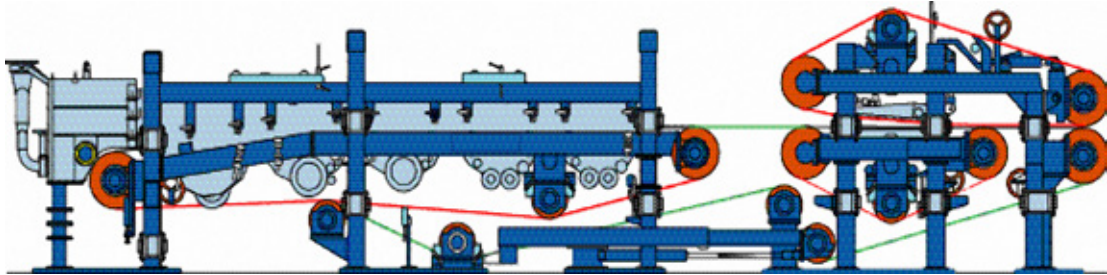
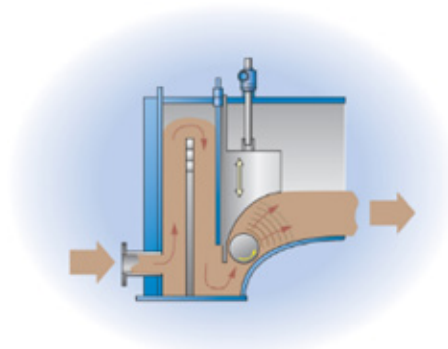


# Wet forming machines

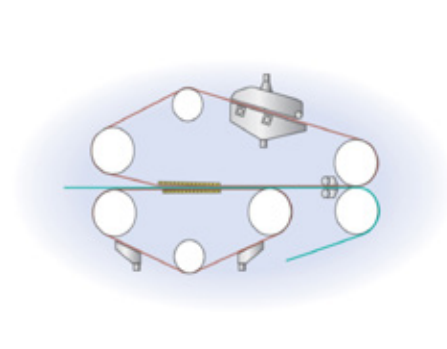
Sunds Fibertech has been designing, manufacturing and installing production lines for wet process fiberboard for more than 30 years.



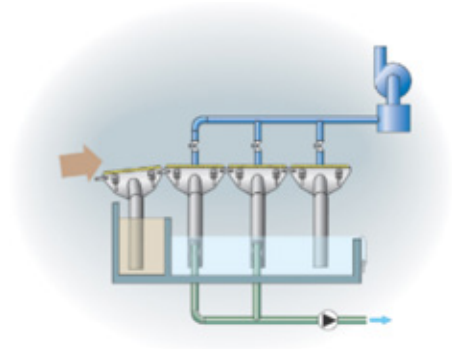
## Selected upgrades and renovations examples



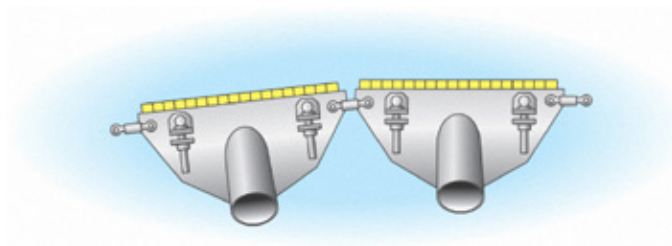
Inlet box, open type



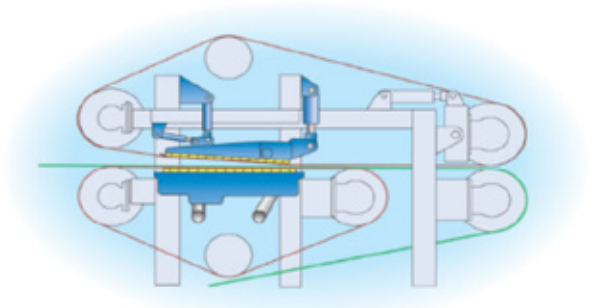
Cleaning of wire



WFM - vacuum flow



Suction boxes



Plane press

## For further information contact:



Anders Ljungberg  
Tel: +46 73 035 4609  
anders.ljungberg@sundsfibertech.com



Walter Pichler  
Tel: +46 70 511 4029  
walter.pichler@sundsfibertech.com